

Features & Typical applications:

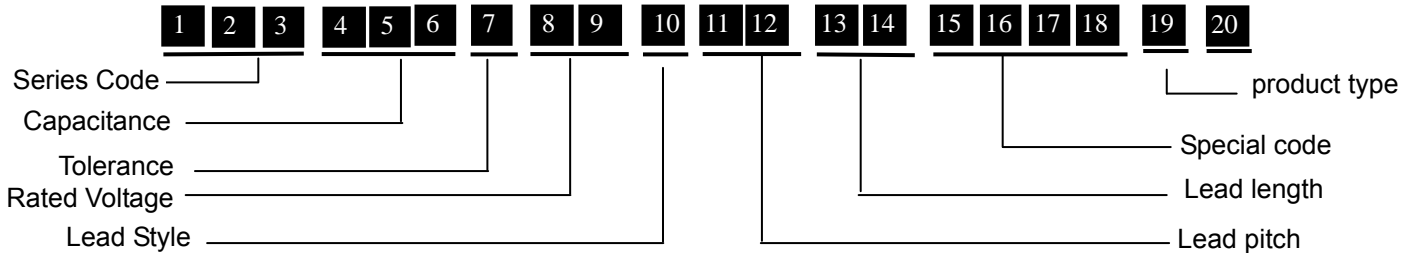
- Dielectric metallized polypropylene film
- Small size, with mono construction
- Severe ambient conditions
- Excellent active and passive flame resistant abilities
- Widely used in across-the-line, interference suppression circuit
- For connections in series with the mains
- Capacitive power supply
- Energy meters

Specifications

Reference Standard	GB/T 6346.14 (IEC 60384-14)			
Climatic Category	40/110/56/B			
Operating Temperature Range	-40°C ~ +110°C			
Rated Voltage	310 VAC			
Capacitance Range	0.1μF ~ 10.0 μF			
Capacitance Tolerance	±10%(K) ±20%(M)			
Voltage Proof	1.6 V _R (5s)			
Dissipation Factor	≤ 0.1% (1KHz, 20°C)			
If the working voltage(V) is lower than the rated voltage(V _R), the capacitor can be worked at a higher dv/dt. In this case, the maximum allowed dv/dt is obtain by multiplying the right value with V _R /V.	dv/dt			
	P=15.0	P=22.5	P=27.5	P=37.5
	300	180	120	100

TYPE : MPX -B SPECIFICATION

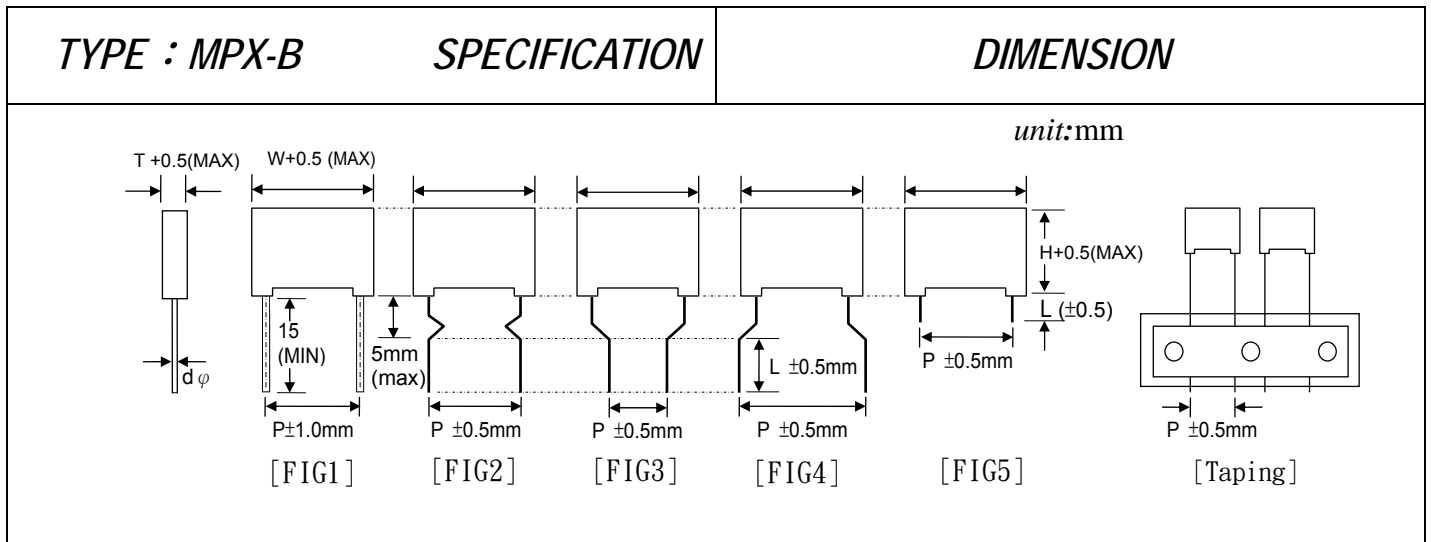
Part Numbering System



Digit 1-3	Type	MPX												
Digit 4-6	Digit 4-5 indicate the first two figures of the capacitance value and the 6th digit indicate the number of zero added to obtain the rated capacitance in pF. EX. 102=1000pF=1nF=0.001 μF													
Digit 7	Code	F	G	H	J	K	M							
	Tolerance	±1%	±2%	±3%	±5%	±10%	±20%							
Digit 8-9		A	B	C	D	E	F	G	H	J	K	L	M	
	1				20				50	63			1100	
	2	100	125	160	200	250	315	400	500	630	800	120		
	3	1000	1250	1600	2000	2500	3150	4000	5000	6300	8000	1200	1400	
		N	P	Q	R	S	T	U	V	W	X	Y		
	1	15	240	300	330	440	540	600	700	850	900			
	2	150	275	305	350	450	520		760	1800				
3	1500	280	310		480							3000		
Letter and then number indicate AC, but number and then Letter indicate DC. EX. 2A=100VDC A2=100VAC														
Digit 10	Code	A			B			C			D			X
	Lead style	Straight lead			Kink-Cutted			Inward forming			outward forming			straight lead Cutted
	Code	E			S			T			F			G
	Lead style	Taping (Ammo) (直脚 TP, P0=12.7mm)			Kink-Cutted (special)			Taping (Ammo) (同等彎 TP)			Taping (Ammo) (內彎 TP)			Taping (Ammo) (外彎 TP)
Digit 11-12	Code	P2	P3	P4	P5	P6	P8	P9	PA	PB	PC	PD	PE	
	Pitch	3.5	4.0	4.5	5.0	6.0	7.0	7.5	8.0	9.0	10.	31.0	15.0	
	Code	PF	PG	PH	PJ	PK	PL	PM	PN	PP	PQ	PR	PS	
	Pitch	20.0	21.0	22.0	22.5	28.5	52.5	27.5	30.0	32.5	41.	12.5	17.5	
	Pitch	51.0	27.0	37.5	25.0	12.0	35.0	16.0	Axial					
Digit 13-14	Code	L1*	L2	L3	L4	L5	L6	L7*	L8	L9	LA	LB	LC	
	Length	15.0	3.5	4.0	4.5	10.0	15.0	20.0	TP	2.7	8.0	5.0	6.0	
	Code	LD*	LE	LF	LG	LH	LJ*	LK	LL	LM	LN	LP	LQ*	
	Length	26.0	7.5	5.5	12.0	7.0	25.0	13.0	6.5	3.0	9.0	2.5	17.0	
	Code	LR	LS*	LU*	LW*	LX	LY*	LZ*	LV	L0*	LT*	VL*	3R	
	Length	3.8	24.0	27.0	40.0	16.0	30.0	32.0	3.2	Axia	22	33	2.0	

Notes: * Straight, length is minimum

Digit 15-16	Cod	Explanation	Cod	Explanation	Cod	Explanation
	HB	HF, Surge Test	TH	Humidity Bias Test	EE	Low ESR
	EA	Low noise, The different color	ZT	The different color, The different size (T) & wire 0.6mm	ED	Low ESR. The different size (H)
	CT	The different color, The different size (T)	CJ	The different color, The different size (T), CAP:0~+10%		
Digit 17-18	Special Number.					
Digit 19	“#” B: Test conditions: Humidity: 85% RH Temperature: 85°C TV: 275VAC Duration: 1000H					
Digit 20	“*” : Blank → RoHS products ; “*” : “H” → HF products (Color : BLACK);					

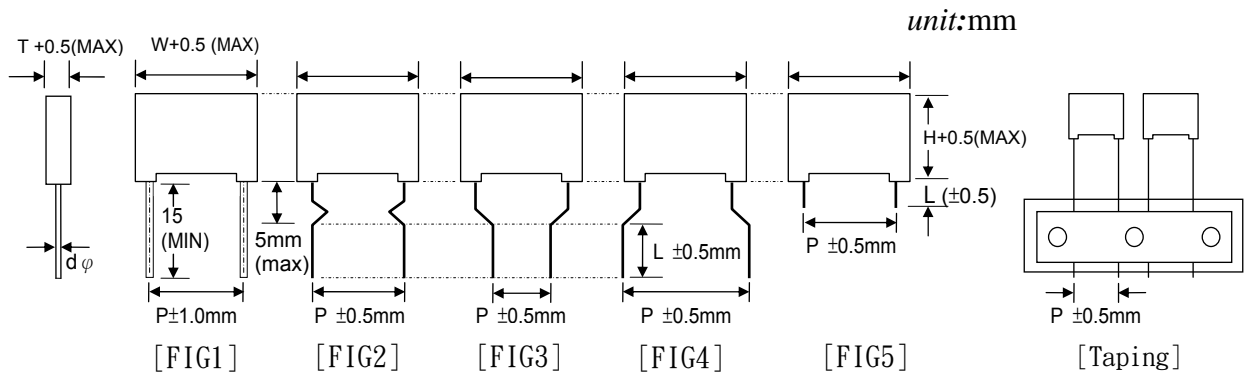


CAP. (<i>uF</i>)	VOLT. (<i>VAC</i>)	TOL. ±%	DIMENSION <i>unit:mm</i>					SCC <i>P/N</i>
			<i>W</i>	<i>H</i>	<i>T</i>	<i>P</i>	<i>dφ</i> ±0.05	
0.10	310	10	18.0	11.0	5.0	15.0	0.6	MPX104KQ3*PE**ZT03#
0.12	310	10	18.0	12.0	6.0	15.0	0.6	MPX124KQ3*PE**ZT05#
0.15	310	10	18.0	12.0	6.0	15.0	0.6	MPX154KQ3*PE**ZT05#
0.18	310	10	18.0	13.0	7.0	15.0	0.8	MPX184KQ3*PE**CT08#
0.22	310	10	18.0	13.5	7.5	15.0	0.8	MPX224KQ3*PE**CT09#
0.27	310	10	18.0	14.5	8.5	15.0	0.8	MPX274KQ3*PE**CT12#
0.33	310	10	18.0	15.0	9.0	15.0	0.8	MPX334KQ3*PE**CT14#
0.39	310	10	18.0	16.0	10.0	15.0	0.8	MPX394KQ3*PE**CT16#
0.47	310	10	18.0	18.5	11.0	15.0	0.8	MPX474KQ3*PE**CT18#
0.56	310	10	18.0	19.2	11.2	15.0	0.8	MPX564KQ3*PE**CT19#
0.68	310	10	18.0	21.0	12.0	15.0	0.8	MPX684KQ3*PE**CT23#
0.47	310	10	26.5	16.5	7.5	22.5	0.8	MPX474KQ3*PJ**CT09#
0.56	310	10	26.5	16.5	8.5	22.5	0.8	MPX564KQ3*PJ**CT12#
0.68	310	10	26.5	19.0	10.0	22.5	0.8	MPX684KQ3*PJ**CT16#
0.82	310	10	26.5	19.0	10.0	22.5	0.8	MPX824KQ3*PJ**CT16#
1.0	310	10	26.5	20.0	11.0	22.5	0.8	MPX105KQ3*PJ**CT18#
1.2	310	10	26.5	21.5	12.0	22.5	0.8	MPX125KQ3*PJ**CT23#
1.5	310	10	26.5	24.0	13.5	22.5	0.8	MPX155KQ3*PJ**CT21#
1.8	310	10	26.5	25.0	16.0	22.5	0.8	MPX185KQ3*PJ**CT32#
2.2	310	10	26.5	29.5	14.5	22.5	0.8	MPX225KQ3*PJ**CT49#
2.2	310	10	26.5	25.0	16.5	22.5	0.8	MPX225KQ3*PJ**CT50#
1.0	310	10	32.0	18.5	10.0	27.5	0.8	MPX105KQ3*PM**CT16#
1.2	310	10	32.0	20.0	11.0	27.5	0.8	MPX125KQ3*PM**CT18#

TYPE : MPX-B

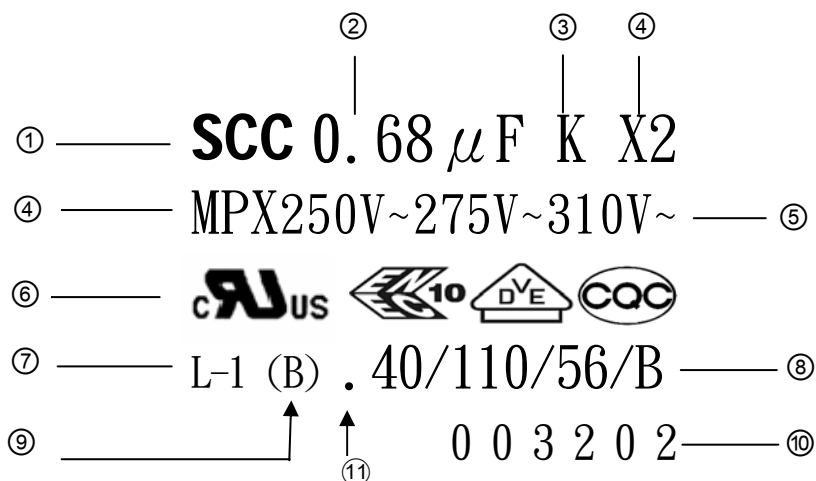
SPECIFICATION

DIMENSION



CAP. (μF)	VOLT. (VAC)	TOL. $\pm\%$	DIMENSION unit:mm					SCC P/N
			W	H	T	P	$d\phi$ ± 0.05	
1.5	310	10	32.0	22.0	13.0	27.5	0.8	MPX155KQ3*PM**CT20#
1.8	310	10	32.0	23.4	14.0	27.5	0.8	MPX185KQ3*PM**CT24#
2.2	310	10	32.0	24.5	15.0	27.5	0.8	MPX225KQ3*PM**CT36#
2.7	310	10	32.0	26.0	18.0	27.5	0.8	MPX275KQ3*PM**CT25#
3.3	310	10	32.0	30.0	18.0	27.5	0.8	MPX335KQ3*PM**CH21#
3.9	310	10	32.0	30.5	20.0	27.5	0.8	MPX395KQ3*PM**CT38#
4.7	310	10	32.0	31.0	22.0	27.5	0.8	MPX475KQ3*PM**CT45#
3.3	310	10	42.5	26.0	14.5	37.5	1.0	MPX335KQ3*PV**CT49#
3.9	310	10	42.5	28.5	16.0	37.5	1.0	MPX395KQ3*PV**CT32#
4.7	310	10	42.5	30.0	17.0	37.5	1.0	MPX475KQ3*PV**CT40#
5.6	310	10	42.5	31.5	18.5	37.5	1.0	MPX565KQ3*PV**CT37#
6.8	310	10	42.5	36.0	19.0	37.5	1.0	MPX685KQ3*PV**CT52#
8.2	310	10	42.5	37.0	22.0	37.5	1.0	MPX825KQ3*PV**CT45#
10.0	310	10	42.5	37.0	28.0	37.5	1.0	MPX106KQ3*PV**CT62#

Marking



- ① Company Logo: SCC
- ② Rated Capacitance
- ③ Capacitance Tolerance
- ④ Part Name
- ⑤ Rated Voltage
- ⑥ Safety Standard Approval Logo
- ⑦ Date Code: Year- Month

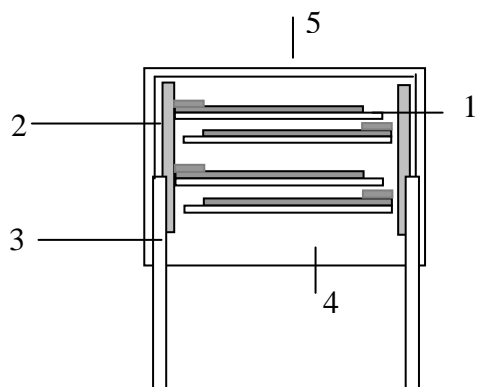
Year	Code	Year	Code
2008/2020	A	2014/2026	G
2009/2021	B	2015/2027	H
2010/2022	C	2016/2028	J
2011/2023	D	2017/2029	K
2012/2024	E	2018/2030	L
2013/2025	F	2019/2031	M

Month	Code	Month	Code
1	1	7	7
2	2	8	8
3	3	9	9
4	4	10	0
5	5	11	N
6	6	12	S

- ⑧ Operating temperature: -40~+110°C Experiment for 56days.
Flame retardant grade B
- ⑨ Internal use
- ⑩ Production batch number
- ⑪ Manufacturer code : “·” : Huizhou SCC “:” : HuaiAn SCC

年份周期 12 年一個輪迴, 如 CODE:A, 代表:2008 年, 2020 年, 2032 年, 2044 年...
CODE:B, 代表:2009 年, 2021 年, 2033 年, 2045 年...

Construction



- 1. Metallized polypropylene film(ZN/AL)
- 2. Metal spray(Zn+ Tin/Zn)
- 3. Lead wire
- 4. Epoxy resin coating(UL94V-0、B)
- 5. Case-PBT(UL94V-0、B)

TYPE : MPX-B SPECIFICATION			ELECTRICAL CHARACTERISTICS		
No	項 目 Item		性 能 Performance	條 件 Test Conditions	參考標準 Reference Standard
1	使用溫度範圍 Operating Temperature Range		-40°C ~ +110°C		IEC 60384-14 2.1.1
2	額 定 電 壓 Rated Voltage		310VAC (50/60Hz) 630VDC(Max)		IEC 60384-14 2.2.3
3	耐電壓 Withstand Voltage	端 子 間 Between Terminals	無 Short現象.	VR x 430% (VDC) 60 sec, Charge and Discharge current shall not exceed 10 mA	IEC 60384-14 4.2.1
		端 子 外 裝 間 Between Terminals & Enclosure		2120 VAC 1 min	
4	絕 緣 阻 抗 Insulation Resistance		C≤0.33μF:15,000MΩ min C>0.33μF:5,000MΩ*μF min	Charge time: 60 ±5sec. Charge voltage: 100VDC Test Temp: 20°C	IEC 60384-14 4.2.5
5	靜 電 容 量 Capacitance		於 指 定 範 圍 內 Within specified tolerance	at 1 KHz ±10% Measure voltage at 1 Vrms Test temp: 20°C	IEC 60384-14 4.2.2
6	散 逸 因 數 Dissipation Factor		0.1 %max at 1KHz	Measure voltage at 1 Vrms Test temp: 20°C	IEC 60384-14 4.2.3
7	端子強度 Terminal Strength	抗拉強度 Pull Strength	端 子 不 鬆 斷 No cutting or slack of terminals	Wire diameter: 0.6&0.8mm Load: 1 kg, time: 10 sec. Wire diameter: 1.0 mm Load: 2 kg, time: 20 sec.	IEC 60384-14 4.3
		扭轉強度 Bending Strength		Wire diameter:0.6&0.8 mm 1.0&1.2 mm 90° x 4 time	
8	焊 錫 附 著 性 Solder ability		導線浸入後的表面至少需附著95%的新焊錫 At least 95% of the surface of the lead wire dipped into is covered with new solder.	Solder temp: 245°C ±5°C Immersion time: 2±0.5sec. Solder: SnAgCu (Sn:96.5% Ag:3% Cu:0.5%)	IEC 60384-14 4.5
9	焊錫耐熱性 Resistance to Soldering heat	外 觀 Appearance	無明顯異常 No abnormality on appearance	Solder temp: 265 ±5°C Immersion time: 10±0.5sec.	IEC 60384-14 4.4
		耐 電 壓 Withstand Voltage	依 項 目 3 Comply with item 3		
		靜電容量變化率 Capacitance Change	△C/C ≤±3% Within ±3%		
		散逸因數 Dissipation Factor	於 項 目 7 範 圍 以 內 Within spec of item 7 above.		
		絕緣阻抗 Insulation Resistance	Same as the spec of item 5 above		

TYPE : MPX-B SPECIFICATION

ELECTRICAL CHARACTERISTICS

No	項 目 Item	性 能 Performance	條 件 Remark	參考標準 Reference Standard																
10	耐 震 性 Vibration Proof	無明顯異常 No abnormality of the appearance	Frequency range 10-55-10-55 Hz Amplitude: 0.75 mm, 2 hrs/direction for 3 directions	IEC 60384-14 4.7																
11	充放電 Charging and discharging	靜電容量變化率 Capacitance Change 散逸因數變化量 Dissipation Factor Change 絕 緣 阻 抗 Insulation Resistance	$\Delta C/C \leq \pm 5\%$ (relative to the initial value) Increase of: $\Delta DF \leq 0.5\%$ (1KHZ) IR: $\geq 50\%$ of rated value	Times: 10 000 Duration of charging: 0.5s Duration of discharging : 0.5s Charging voltage: rated voltage Charging resistance: 220/CR(Ω) Discharging resistance: R=10/ CR(Ω) or 20 (whichever is the greater) CR: rated capacitance (μF)	IEC 60384-14 4.15															
12	耐寒性 Cold Resistance	靜電容量變化率 Capacitance Change	$\Delta C/C \leq \pm 5\%$ Within $\pm 5\%$	Temperature: $-40 \pm 2^\circ C$ Duration: 96 ± 4 hrs	IEC 60384-14 4.11.4															
13	耐熱性 Dry Heat Resistance	絕 緣 阻 抗 Insulation Resistance 靜電容量變化率 Capacitance Change	50% of minimum specified value $\Delta C/C \leq \pm 5\%$ Within $\pm 5\%$	Temperature: $+110 \pm 2^\circ C$ Duration: 96 ± 4 hrs	IEC 60384-14 4.11.2															
14	溫度循環 Temperature Cycle	外 觀 Appearance 耐 電 壓 Withstand Voltage 絕 緣 阻 抗 Insulation Resistance 靜電容量變化率 Capacitance Change	無明顯異常 No abnormality on appearance 依項目3 Comply with item 3 50% of minimum specified value $\Delta C/C \leq \pm 5\%$ Within $\pm 5\%$	Total: 5 cycle <table border="1" data-bbox="944 1236 1321 1415"> <thead> <tr> <th>Step</th> <th>Temp</th> <th>Time</th> </tr> </thead> <tbody> <tr> <td>1</td> <td>$-40 \pm 2^\circ C$</td> <td>30 ± 1 min</td> </tr> <tr> <td>2</td> <td>$+25 \pm 2^\circ C$</td> <td>3min max</td> </tr> <tr> <td>3</td> <td>$+110 \pm 2^\circ C$</td> <td>30 ± 1 min</td> </tr> <tr> <td>4</td> <td>$+25 \pm 2^\circ C$</td> <td>3min max</td> </tr> </tbody> </table>	Step	Temp	Time	1	$-40 \pm 2^\circ C$	30 ± 1 min	2	$+25 \pm 2^\circ C$	3min max	3	$+110 \pm 2^\circ C$	30 ± 1 min	4	$+25 \pm 2^\circ C$	3min max	IEC 60384-14 4.6
Step	Temp	Time																		
1	$-40 \pm 2^\circ C$	30 ± 1 min																		
2	$+25 \pm 2^\circ C$	3min max																		
3	$+110 \pm 2^\circ C$	30 ± 1 min																		
4	$+25 \pm 2^\circ C$	3min max																		
15	穩態濕熱試驗 Damp heat , Steady state	外 觀 Appearance 耐 電 壓 Withstand Voltage 絕 緣 阻 抗 Insulation Resistance 靜電容量變化率 Capacitance Change 散逸因數變化量 Dissipation Factor Change	無明顯異常 No abnormality on appearance 印字可辨識 Marking to be legible 依項目3 Comply with item 3 50% of minimum specified value $\Delta C/C \leq \pm 5\%$ Within $\pm 5\%$ $\Delta DF \leq 0.8\%$ at 10KHz, C $\leq 1.0\mu F$ $\Delta DF \leq 0.5\%$ at 1KHz ,C >1.0 μF (20 $^\circ C$)	Humidity: 90~95% RH Temperature: $+40 \pm 2^\circ C$ Duration: 56Days +48/-0hrs Measure after exposing at normal state for 1.5 ± 0.5 hrs.	IEC 60384-14 4.12															

TYPE : MPX-B SPECIFICATION		ELECTRICAL CHARACTERISTICS			
No	項目 Item	性能 Performance	條件 Remark	參考標準 Reference Standard	
16	阻燃性測試 Flammability test	1.每次火焰燃燒后每一試片的燃燒秒數不可超過10S. Maximum flaming time per specimen per flame application:10 sec. 2.五個試片,兩次火焰燃燒的試片總燃燒秒數不能超過50S. Maximum total flaming time ,5 specimens,2 ignitions: 50 sec. 3.每一試片最長的燃燒秒數不能超過30S. Maximum after glow time, Per specimen: 30sec.	1.試樣數目:5PCS, Number of specimens : 5pcs 2.火焰燃燒次數:2 Number of ignitions: 2 3.火焰不可燃燒到被夾子固定之上端. Combustion flame cannot be fixed to the upper end of the clip.	UL94	
17	高濕/負荷 試驗 Humidity Bias Test	外觀 Appearance	無明顯異常 No abnormality on appearance	Humidity: 90~95% RH Temperature: +40 ±2°C Voltage : VR Duration: 1000+24/-0hrs	AEC-Q200
	靜電容量變化率 Capacitance Change	$\Delta C/C \leq \pm 10\%$ Within $\pm 10\%$			
18	高溫/高濕/ 負荷測試 Humidity Bias Test	耐電壓 Withstand Voltage	依項目3 Comply with item 3	Humidity: 85%±2 RH Temperature: 85±2°C Duration: 1000±24hrs Applied Voltage 275 VAC Measure after exposing at normal state for 4 hrs	IEC 60384-14
	絕緣阻抗 Insulation Resistance	50% of minimum specified value			
	靜電容量變化率 Capacitance Change	$\Delta C/C \leq \pm 10\%$ Within $\pm 10\%$			
	散逸因數變化量 Dissipation Factor Change	$\Delta DF \leq 2.4\%$, $C \leq 1.0\mu F$ $\Delta DF \leq 1.5\%$, $C > 1.0\mu F$ at 1KHz (20°C)			
19	高溫負荷 Endurance Test	外觀 Appearance	無明顯異常 No abnormality on appearance 印字可辨識 Marking to be legible	Temperature: +110 ±2°C Duration:1,000 +48/-0 hrs Applied Voltage 125% x V_R through series resistor of $47\Omega \pm 5\%$ to the Capacitor Measure after exposing at normal state for 4 hrs.	IEC 60384-14 4.14
	耐電壓 Withstand Voltage	依項目3 Comply with item 3			
	絕緣阻抗 Insulation Resistance	50% of minimum specified value			
	靜電容量變化率 Capacitance Change	$\Delta C/C \leq \pm 10\%$ Within $\pm 10\%$			
	散逸因數變化量 Dissipation Factor Change	$\Delta DF \leq 0.8\%$ at 10KHz, $C \leq 1.0\mu F$ $\Delta DF \leq 0.5\%$ at 1KHz , $C > 1.0\mu F$ (20°C)			

1. This capacitor is limited to $\leq 310VAC$ (Frequency $\leq 100Hz$) or $\leq 630VDC$.

此系列電容器只限用於 $\leq 310VAC$ (頻率 $\leq 100Hz$) 或 $\leq 630VDC$ 。

2. 電容儲存條件: 溫度: +5 ~ +35°C 濕度: $\leq 75\% RH$

電容儲存時間: 依周期計算有效期: 兩年. (超出兩年產品電氣特性需重新選別及檢查產品外觀)