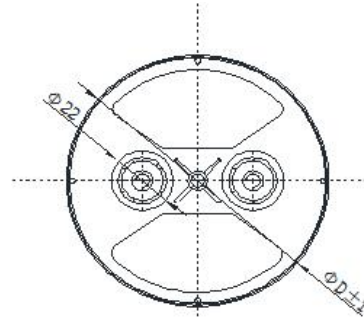
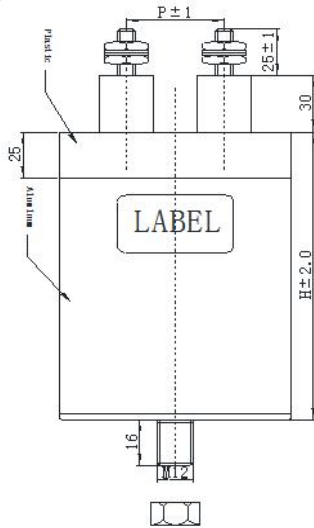




金屬化聚丙烯薄膜電容 (SNP) Sunbber METALLIZED POLYPROPYLENE FILM CAPACITOR (SNP) SUNBBER



產品結構 Product structure

- ◆ 電介子：金屬化聚丙烯薄膜
Dielectric: metallized polypropylene film
- ◆ 引出電極：鍍錫銅端子
Lead-out electrode: Tin Copper Terminal
- ◆ 封裝：鋁金屬外殼，樹脂填充
Encapsulation: aluminum case, resin filled

產品特點 Product characteristics

- ◆ 高電容密度
High capacitance density
- ◆ 高電壓 高電流
High Voltage, high current
- ◆ 優良的自愈性
Excellent self-healing

推薦應用 Recommended applications

- ◆ GTO 保護
GTO protection
- ◆ 隔直
Next to each other
- ◆ 大電流應用
High current applications

電氣特性 Electrical characteristics

引用標準 Reference Standard	IEC61071/GBT17702-2021 AEC-Q200
工作溫度 Operating temperature	-40 ~ +85°C
容量範圍 Capacity Range	0.22 ~ 7.5µf
額定電壓 Rated voltage	3600 ~ 8000VDC
容量誤差 Capacity error	±5% (J) ±10% (K)
損耗因素 Loss Factor	0.0005 @ 1KHz 20°C±5°C
預期壽命 Life expectancy	100000hrs @ Un , θhs=70°C



極間電壓 Inter-pole voltage	1.5Un (DC) (10s , 20°C±5°C)
極殼電壓 Polar shell voltage	Un ≤1500Vdc , 3000Vac(10s , 50Hz , 20°C±5°C) Un >1500Vdc , (1.5Un+1000) Vac (10s , 50Hz , 20°C±5°C)
絕緣電阻 Insulation Resistance	(IR × Cn) 30000s (20°C , 100Vdc , 1min)
最高使用海拔 Maximum altitude used	2000m

TYPE: SNP		SPECIFICATION			ELECTRICAL CHARACTERISTICS				
技術參數 Technical data									
Un (VDC)	CAP (uF)	Dimension (mm)			I _{rms} @45°C@10KHz A	ESR @1KHz (mΩ)	Ls (nH)	Weight (kg)	I _{peak} (A)
		L	D	P					
Un 3600VDC , Urms 1800VAC , Upeak 2520V, Us 5400V									
3600	1.0	76	95	32	32	2.7	< 50	0.62	1000
	1.5	76	95	32	40	1.9	< 50	0.62	1500
	2.0	86	95	32	45	1.5	< 50	0.77	2000
	3.0	76	175	32	50	1.1	< 50	1.07	3000
	4.0	86	175	32	65	0.9	< 50	1.33	4000
	7.5	116	180	50	80	0.6	< 50	2.41	7500
Un 4800VDC , Urms 2400VAC , Upeak 3360V, Us 7200V									
4800	0.68	76	120	32	30	3.8	< 50	0.74	816
	1.0	76	120	32	38	2.7	< 50	0.74	1200
	1.5	86	120	32	42	1.9	< 50	0.82	1800
	2.2	76	225	32	48	1.4	< 50	1.31	2640
	3.0	86	225	32	60	1.1	< 50	1.64	3600
	5.6	116	230	50	80	0.7	< 50	2.97	6720
Un 6000VDC , Urms 3000VAC , Upeak 4200V, Us 9000V									
6000	0.68	76	145	32	32	3.8	< 50	0.91	1020
	0.82	76	145	32	37	3.2	< 50	0.91	1230
	1.2	86	145	32	40	2.3	< 50	1.22	1800
	1.8	76	275	32	45	1.6	< 50	1.31	2700
	2.4	86	275	32	60	1.3	< 50	1.64	3600
	4.5	116	275	50	80	0.8	< 50	3.50	6750
Un 8000VDC , Urms 4000VAC , Upeak 5600V, Us 12000V									
8000	0.22	76	135	32	33	5.8	< 50	0.85	660
	0.33	76	135	32	40	4.0	< 50	0.85	990
	0.47	86	135	32	45	2.9	< 50	1.18	1410



TYPE: SNP SPECIFICATION

ELECTRICAL CHARACTERISTICS

技術參數 Technical data

Un (VDC)	CAP (μ F)	Dimension (mm)			I _{rms} @45°C@10KHz A	ESR @1KHz (m Ω)	Ls (nH)	Weight (kg)	I _{peak} (A)
		L	D	P					
Un 8000VDC , Urms 4000VAC , Upeak 5600V, Us 12000V									
8000	0.68	76	260	32	50	2.1	< 50	1.52	2040
	1.0	86	260	32	60	1.5	< 50	1.92	3000
	1.8	116	260	50	80	1.0	< 50	2.97	5400

壽命曲線圖 Expected Lifetime curve

